

- Technical Data Sheet: D3-TA
  - High performance surge protector for ISDN / ADSL / PCM circuits
  - Nominal impulse discharge current 20kA, 8/20us
  - Maximum operating current 140mA
  - Direct mounting on grounding plate or DIN rail



## LPI® Telephone Line Protection: D3-TA

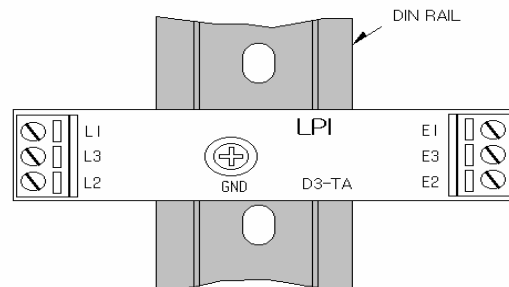
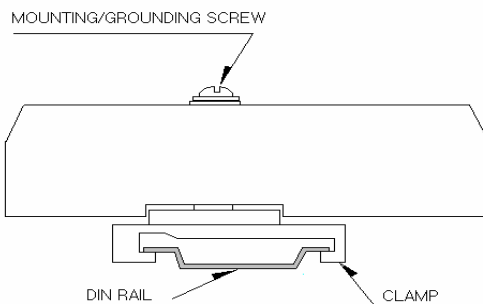
### • Product Description

LPI® D3-TA is a Transient Suppressor Protector designed for the protection of ISDN, ADSL and PCM circuits. D3-TA protectors are fast and capable of protecting against fast rising voltage transients as well as the severe current surges associated with lightning discharges.

D3-TA protectors are heavy duty multi-staged protectors. A solid state section intercepts the leading edge of the surge with subnano-second response time.

### • Special Features

- Ability to repeatedly protect against surge currents in excess of 20,000 Amps.
- Vibration-proof screw type clamp terminals.
- Convenient mounting and grounding to any flat surface or DIN-3 rail.
- Flame resistance epoxy-filled plastic housing.
- Multi-staged low clamping voltage.





- Technical Data Sheet: D3-TA
  - High performance surge protector for ISDN / ADSL / PCM circuits
  - Nominal impulse discharge current 20kA, 8/20us
  - Maximum operating current 140mA
  - Direct mounting on grounding plate or DIN rail

- **Technical Data**

Application:	ISDN, ADSL and PCM circuits
Ordering code:	LPI D3-TA
Maximum Line Voltage:	58V
Clamping Voltage:	63V
Surge Rating:	20kA (8/20μs)
Maximum Data Rate:	10Mbps
Series resistance:	5.5Ω
Max allowable DC current:	140mA
Operating temperature range :	- 40°C ~ + 60°C
Insulation Resistance:	10 ^10Ω
Maximum Capacitance:	240pF

### Warranty

This product is guaranteed to be free from materials and workmanship defects for a period of 5 years from the date of shipment from the manufacturer.

As lightning is a natural event containing unpredictable energy levels 100% protection is not guaranteed. These energy levels may exceed the product rating in this case the manufacturer's liability is limited to repair or replacement at the manufacturer's discretion.

This warranty does not offer any cover for consequential damage, loss of operation or loss of profit.



- **"LPI Endorsed Product"** – The symbol of assurance of quality and performance.
- LPI has a policy of continuing product development. Therefore, the above specifications are subject to change without notice.

LPI® - Innovative Lightning and Surge Protection Solutions



Direct Strike Protection



Surge & Transient Protection for Power, Data, Communications and RF lines



Grounding Products & Solutions